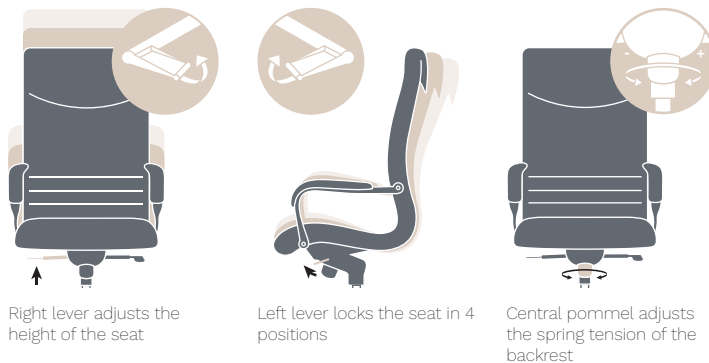




**TECHNICAL DETAILS**

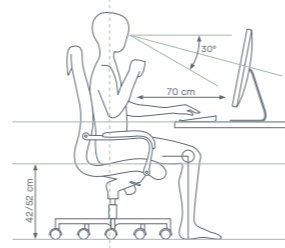
|          |   |
|----------|---|
| unibody  | shaped beech plywood unibody with differentiated density polyurethane padding. Available with high and medium backrest.   |
| armrests | - <u>die-cast aluminium</u> armrests with upholstered elbow-rests in the same colour as the seat.<br>- <u>in pressed and bent beech plywood with light walnut or rosewood lacquer finish.</u> (Pulchra Wood)  |
| device   | <u>tilting device lockable in 4 positions</u> (Multiblock), with frontal adjustment of the backrest resistance in relation to the user's weight and anti-shock release system. This mechanism allows the user to change position while maintaining the correct trunk/thigh angle. The anti-shock release system allows the user to control the movement of the backrest upon release. |



|                   |   |
|-------------------|---|
| height adjustment | by gas lift. allows an excursion of 10 cm.  |
| base              | - <u>5-star base</u> in polished aluminium with self-locking, dual-tread, rubbered, swivel castors (Ø 65 mm).<br>- <u>5-star base</u> with load-bearing steel body covered by a protective solid wood casing with light walnut or rosewood stain, with self-locking, dual-tread, rubbered, swivel castors Ø 50 mm (Pulchra Wood). |

ergonomics

Pulchra is equipped with the necessary mechanisms for proper and comfortable use, even for prolonged periods, as long as the following conditions are met: the standard sitting position requires maintaining angles of 90° between torso and thigh, between thigh and leg, and between leg and foot. These last two angles are essential so that the foot, resting completely on the surface below, discharges part of the weight of the lower limb onto it, preventing excessive compression on the back thigh surface and promoting blood circulation to the heart.



base finishes

- Polished aluminium
- Light walnut
- Rosewood

fabrics

**Cat. D**

Skill (eco-leather)

- PGM3
- PGTR
- PGCD
- PGTA
- PGR1
- PGCG
- PGBZ
- PGGB
- PGVC
- PGM2
- PGNE

**Cat. F**

Step

- STX2
- STZ9
- STSB
- STE1
- STBS
- STVU
- STE4
- STE3
- STE2
- STNE

Chili

- SOG6
- SOG2
- SOG3
- SOM3
- SOV2
- SOR0
- SOR4
- SORA
- SOR7
- SOR2
- SOB9
- SOB8
- SOV5
- SOV6
- SOV7
- SONE

Silvertext

- SBR7
- SBV1
- SBR3
- SBR4
- SBR5
- SBR6
- SBB7
- SBB3
- SBB6
- SBG1
- SBB1
- SBM2
- SBV4
- SBV6
- SBV3
- SBG6

Valencia

- SWR6
- SWB1
- SWV7
- SWRA
- SWR8
- SWR3
- SWR2
- SWB8
- SWG4
- SWB9
- SWB2
- SWM6
- SWG0
- SWG8
- SWG7
- SWG1

Jet

- JTW2
- JTW3
- JTH2
- JTGM
- JTYF
- JT1R
- JTRG
- JTO1
- JTR1
- JTVM
- JT07
- JTVI
- JTG3
- JTV7
- JTC1
- JTV8
- JTB3
- JTZ6
- JTM2
- JTZ0

Magnum (eco-leather)

- T5G7
- T5B0
- T5B6
- T5B2
- T5B5
- T5R4
- T5R6
- T5V3
- T5G1
- T5M6
- T5M5
- T5G4
- T5M3
- T5V8
- T5NE

Connect

- T6G0
- T6G1
- T6G2
- T6R0
- T6R1
- T6R2
- T6V5
- T6V6
- T6B6
- T6NE

Rivet

- T7B1
- T7B4
- T7B2
- T7R6
- T7R0
- T7R1
- T7R2
- T7R3
- T7V0
- T7V5
- T7V4
- T7V3
- T7G3
- T7G1
- T7G4
- T7G7

Era

- T8R0
- T8R1
- T8R2
- T8R3
- T8R9
- T8V8
- T8V2
- T8V5
- T8V6
- T8V0
- T8G1
- T8G4
- T8BA
- T8BB
- T8G6
- T8NE

Go Check

- T9B7
- T9B8
- T9B9
- T9R5
- T9R6
- T9R7
- T9V0
- T9V2
- T9V3
- T9G0
- T9G2
- T9G4

**Cat. R**

Disco Coex

- R1R0
- R1V1
- R1V0
- R1V3
- R1M4
- R1B0
- R1B3
- R1G0
- R1G1
- R1G2

**Cat. G**

Remix 3

- RIO3
- RIRB
- RIRG
- RIRE
- RIBR
- RIO1
- RIMC
- RITA
- RIBE
- RIEC
- RIH2
- RIGC
- RILV
- RIB4
- RIA4
- RIB1
- RIV4
- RIGB
- RIG2
- RIR2
- RIV1
- RIO4
- RIYE
- RIV3
- RIGR

Morph

- R3B0
- R3M0
- R3R1
- R3R2
- R3R4
- R3B2
- R3V5
- R3V3
- R3V1
- R3G2

Focus

- R9MB
- R9M8
- R9M6
- R9MA
- R9M4
- R9M3
- R9R3
- R9R1
- R9R0
- R9V3
- R9V2
- R9B1
- R9M2
- R9G0
- R9B2
- R9M0

Focus Melange

- R8M4
- R8M6
- R8R1
- R8V3
- R8V7
- R8G9
- R8G0
- R8B2
- R8B1
- R8M5
- R8R4
- R8M0
- R8M1
- R8G3
- R8G4
- R8G5

Aida

- S3VA
- S3MD
- S3R8
- S3R0
- S3MC
- S3R5
- S3R1
- S3R3
- S3V2
- S3BC
- S3B0
- S3VD
- S3V4
- S3G1
- S3G2

**Cat. Q**

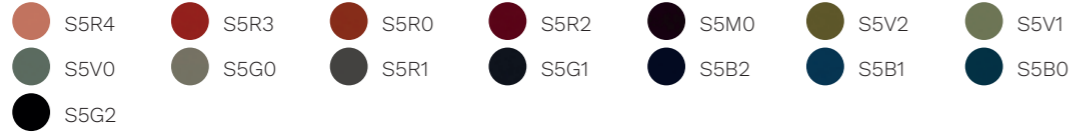
Steelcut Trio 3

- SYR1
- SYRO
- SYRC
- SYRF
- SYRE
- SYRR
- SYMG
- SYMA
- SYMS
- SYBB
- SYB1
- SYA1
- SYAZ
- SYV4
- SYVM
- SYGC
- SYV1
- SYRG
- SYG1
- SYAT

Ecriture

- S4B1
- S4M0
- S4M1
- S4M2
- S4V1
- S4M3
- S4V0
- S4V2
- S4V3
- S4NE
- S4G2
- S4G1
- S4G3
- S4R0
- S4M4

Ombra



Cat. I

Buffalo leather



Cat. P

Leather



Cat. PX

Correcter grain leather



Cat. X

Elmosoft



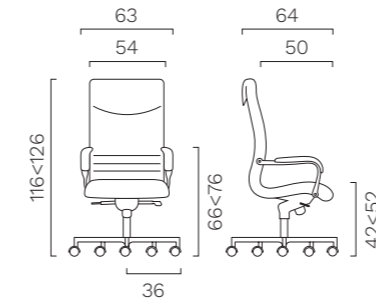
Montana



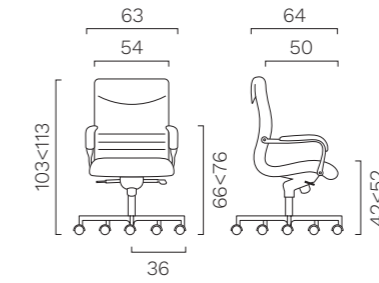
ABACUS

Pulchra Executive

High backrest.  
Tilting device (Multiblock).  
Aluminium base.

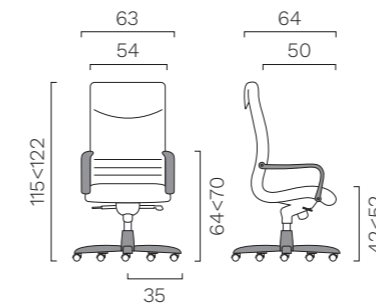


Medium backrest.  
Tilting device (Multiblock).  
Aluminium base.



Pulchra Wood Executive

High backrest.  
Tilting device (Multiblock).  
Light walnut an rosewood base.



Medium backrest.  
Tilting device (Multiblock).  
Light walnut an rosewood base.

