

ANTAGONISTA

FREZZA

Antagonista - Executive chair

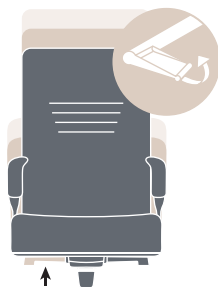


TECHNICAL DETAILS

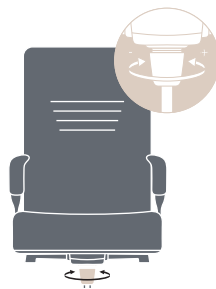
unibody in shaped beech plywood with differentiated density polyurethane padding. Available with high and medium backrest.

armrests - in polished die-cast aluminium with upholstered arm pads in same colour as the seat.
- pressed and bent plywood with light walnut or rosewood varnish finish. (Antagonista Wood)

device tilting device lockable in 4 positions, with frontal adjustment of the backrest resistance in relation to the user's weight and anti-shock release system. This mechanism allows the user to change position while maintaining the correct trunk/thigh angle. The anti-shock release system allows the user to control the movement of the backrest upon release.



Right lever adjusts the height of the seat



Central pommel adjusts the spring tension of the backrest



Left lever locks the seat in 4 positions

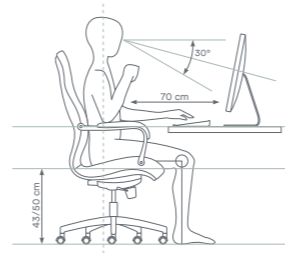
height adjustment by gas lift, allows an excursion of 7 cm.

base - 5-star base in nylon or polished aluminium with self-locking, dual-tread, rubbered, swivel castors (Ø 50 mm)

- 5-star base with load-bearing steel body covered by a protective solid wood casing with light walnut or rosewood painting. Self-locking dual-tread rubbered swivel castors (Ø 50 mm). (Antagonista Wood)

ergonomics

Antagonista is equipped with the necessary mechanisms for proper and comfortable use, even for prolonged periods, as long as the following conditions are met: the standard sitting position requires maintaining angles of 90° between torso and thigh, between thigh and leg, and between leg and foot. These last two angles are essential so that the foot, resting completely on the surface below, discharges part of the weight of the lower limb onto it, preventing excessive compression on the back thigh surface and promoting blood circulation to the heart.



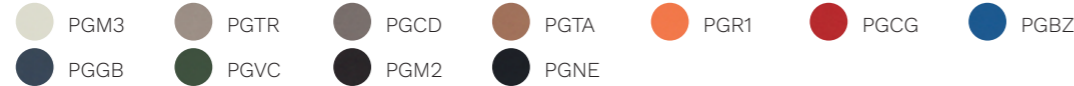
base finishes



fabrics

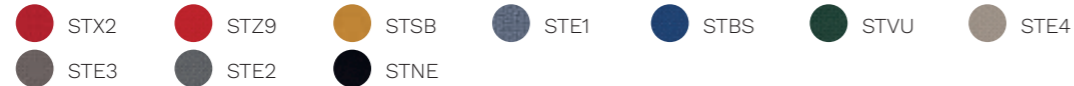
Cat. D

Skill (eco-leather)

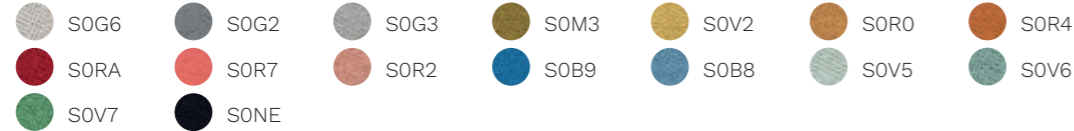


Cat. F

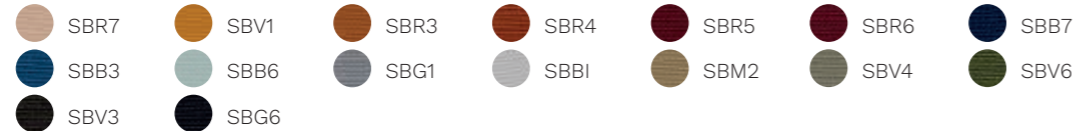
Step



Chili



Silvertext



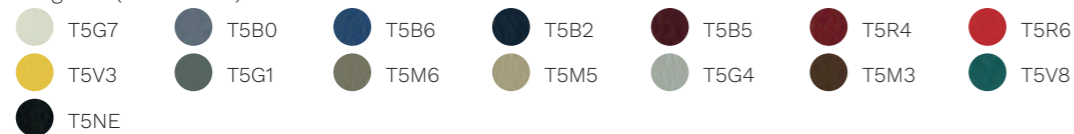
Valencia



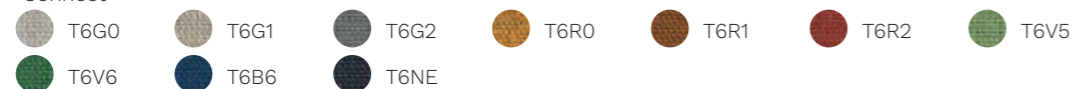
Jet



Magnum (eco-leather)



Connect



Rivet



Era

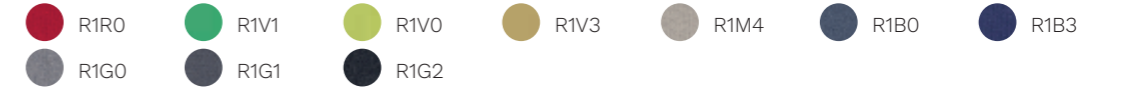


Go Check



Cat. R

Disco Coex

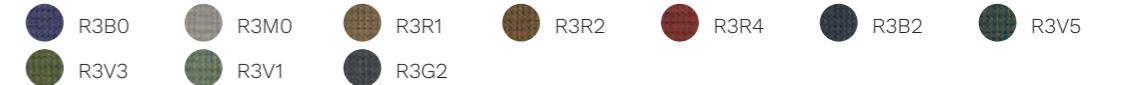


Cat. G

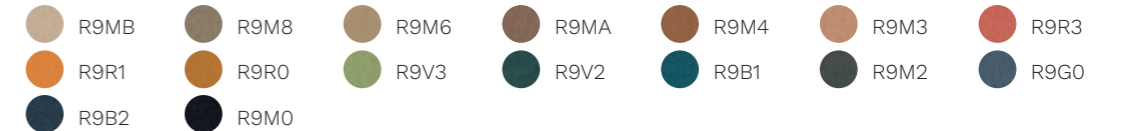
Remix 3



Morph



Focus



Focus Melange

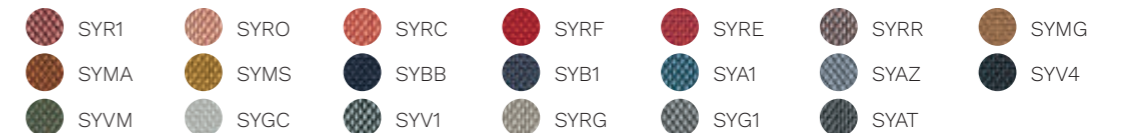


Aida

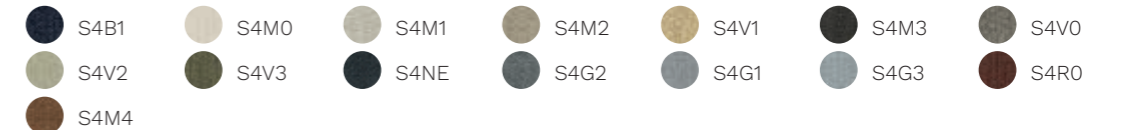


Cat. Q

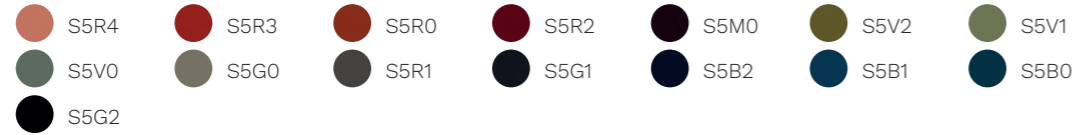
Steelcut Trio 3



Ecriture



Ombra



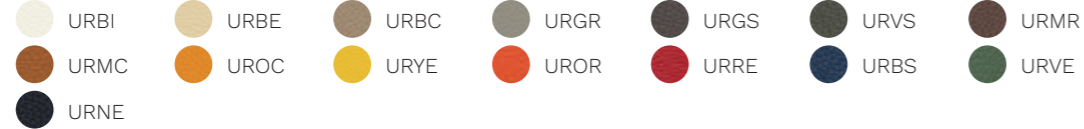
Cat. I

Buffalo leather



Cat. P

Leather



Cat. PX

Corrected grain leather



Cat. X

Elmosoft



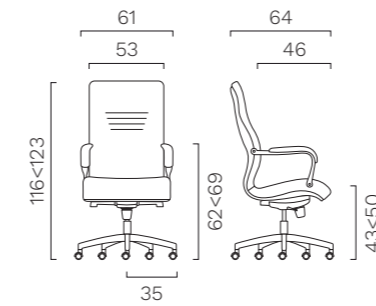
Montana



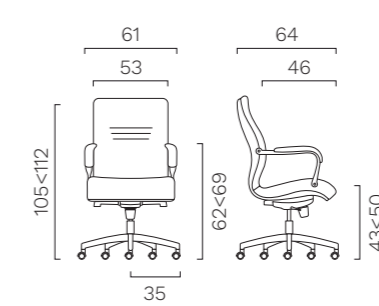
ABACUS

Antagonista Executive

High backrest.
Tilting device lockable in 4 positions.
Aluminium base.

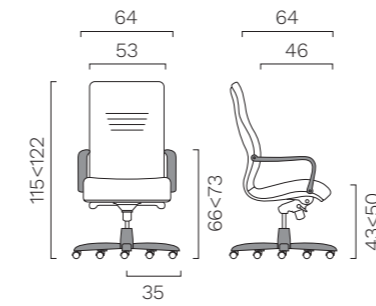


Medium backrest.
Tilting device lockable in 4 positions.
Aluminium base.



Antagonista Wood Executive

High backrest.
Tilting device lockable in 4 positions.
Light walnut/rosewood base.



Medium backrest.
Tilting device lockable in 4 positions.
Light walnut/rosewood base.

